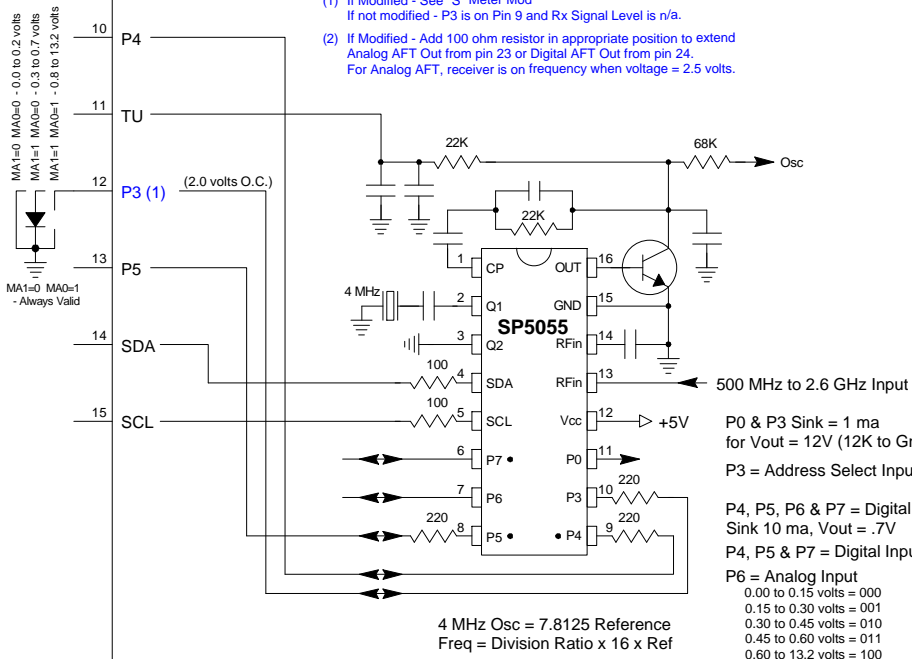


- (1) If Modified - See "S" Meter Mod  
If not modified - P3 is on Pin 9 and Rx Signal Level is n/a.
- (2) If Modified - Add 100 ohm resistor in appropriate position to extend Analog AFT Out from pin 23 or Digital AFT Out from pin 24.  
For Analog AFT, receiver is on frequency when voltage = 2.5 volts.



## 23cm FM ATV Tuner

Comtech FM1394RTIM 1340 MHz - 1450 MHz

Drawing by VE6SBS - www.sbszoo.com Oct 09 / 2003